

Frances & Rolyn (wife)
 85 Saddleback Road NE

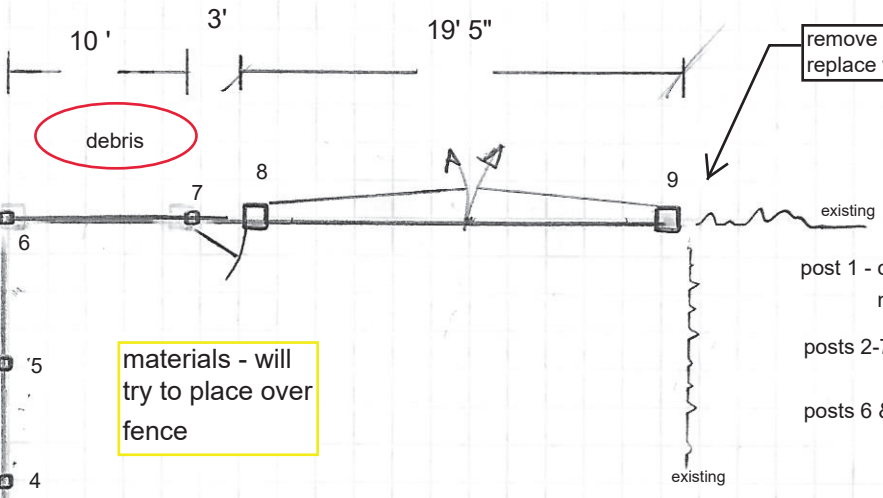
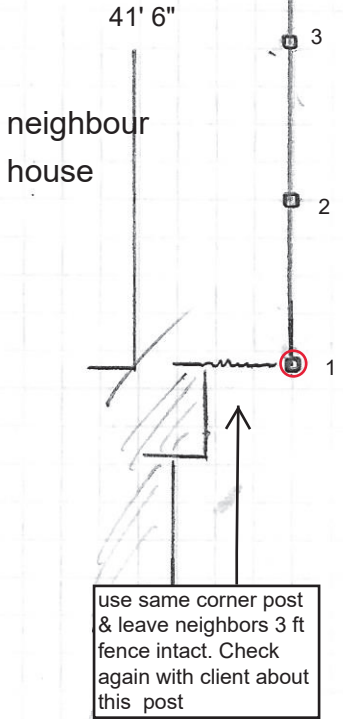


remove existing 4x4 end post and end post on neighbors fence . probably concrete foundation . Install new 4x4

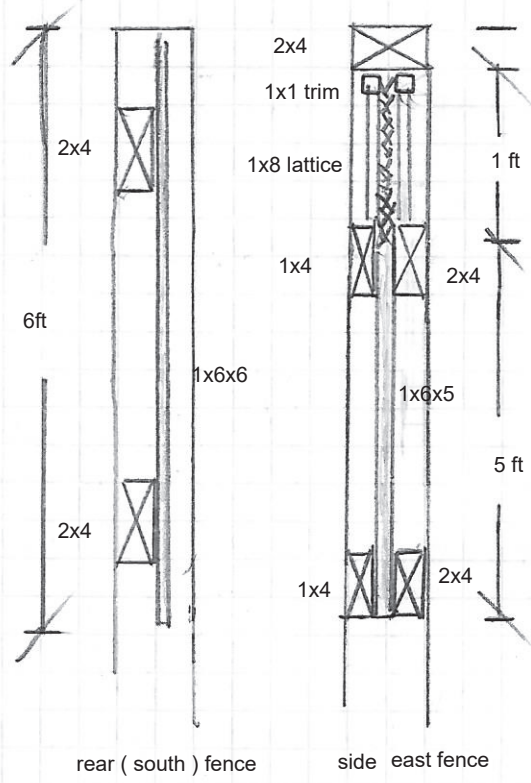
remove existing 4x4 end post replace with 6x6

materials - will try to place over fence

post 1 - client says to leave it so as not to disturb neighbours section
 posts 2-7 4x4 - offset from existing location to avoid concrete base
 posts 6 & 7 6x6 posts for RV gate



HOUSE



- Materials:**
 4x4 7/ 10 ft
 6x6 2/10 ft (supplied by customer)
 2x4 16/8 4/12ft 10/10
 1x4 8/8ft , 8/10ft
 1x8 lattice #6
 1x1 cedar 18/8 ft
 1x6x5 90
 1x6x6 80
 gate combo kit
 18 " cane bolt #2
 redimix 16

rear (south) fence side east fence